

DESIGN FEATURES

- Built-in ISO 5211 Direct Mounting Pad Easy Automation
- Fire Safe Design Approved
- Anti-static Devices for Ball-Stem-Body
- Blow-out Proof Stem
- Pressure Balance Hole in Ball Slot
- TA-Luft/ ISO 15848-1 Design Approved
- NACE standard MR0175 & MR0103 (Optional)
- Casting Approved by TÜV AD 2000-Merkblatt W0
- Options : 1.Actuator 2.Limit Switch 3.Positioner



APPLICABLE STANDARDS

- Design Standard : EN 12516-1
- Frie Design : API 607 5th 2005, ISO10497
- Face To Face : L-EN 558 Series27
(DIN 3202 F4 DN15~DN100, DIN3202 F5 DN125~DN200)
*L-EN 558 Series1 (DIN 3202 F1)
- Flanged End : EN 1092-1 PN10-40
- Inspection & Testing : EN12266-1

CV VALUE / WEIGHT

DN	CV	Weight (kg)							
		F4 / F5				F1 / F7			
		PN10	PN16	PN25	PN40	PN10	PN16	PN25	PN40
15	30	2.37				2.42			
20	55	3.15				3.23			
25	96	4.09				4.37			
32	170	5.56				5.95			
40	270	6.98				7.81			
50	470	9.67				10.4			
65	780	13.9		14.6		15.5		17.5	
80	1150	18.1		20.4		20.1		23.5	
100	2100	25.3		29.5		28.7		35.9	
125	3500	51.0		59.5		—		—	
150	5000	72.5		84.5		—		—	
200	9500	—	124	—	156	—	—	—	—

TORQUE VALUES

Close to Open Torque at Various Differential Pressure (ΔP), Standard Seats (TFM1600&PTFE)

unit : in-lb / N-m

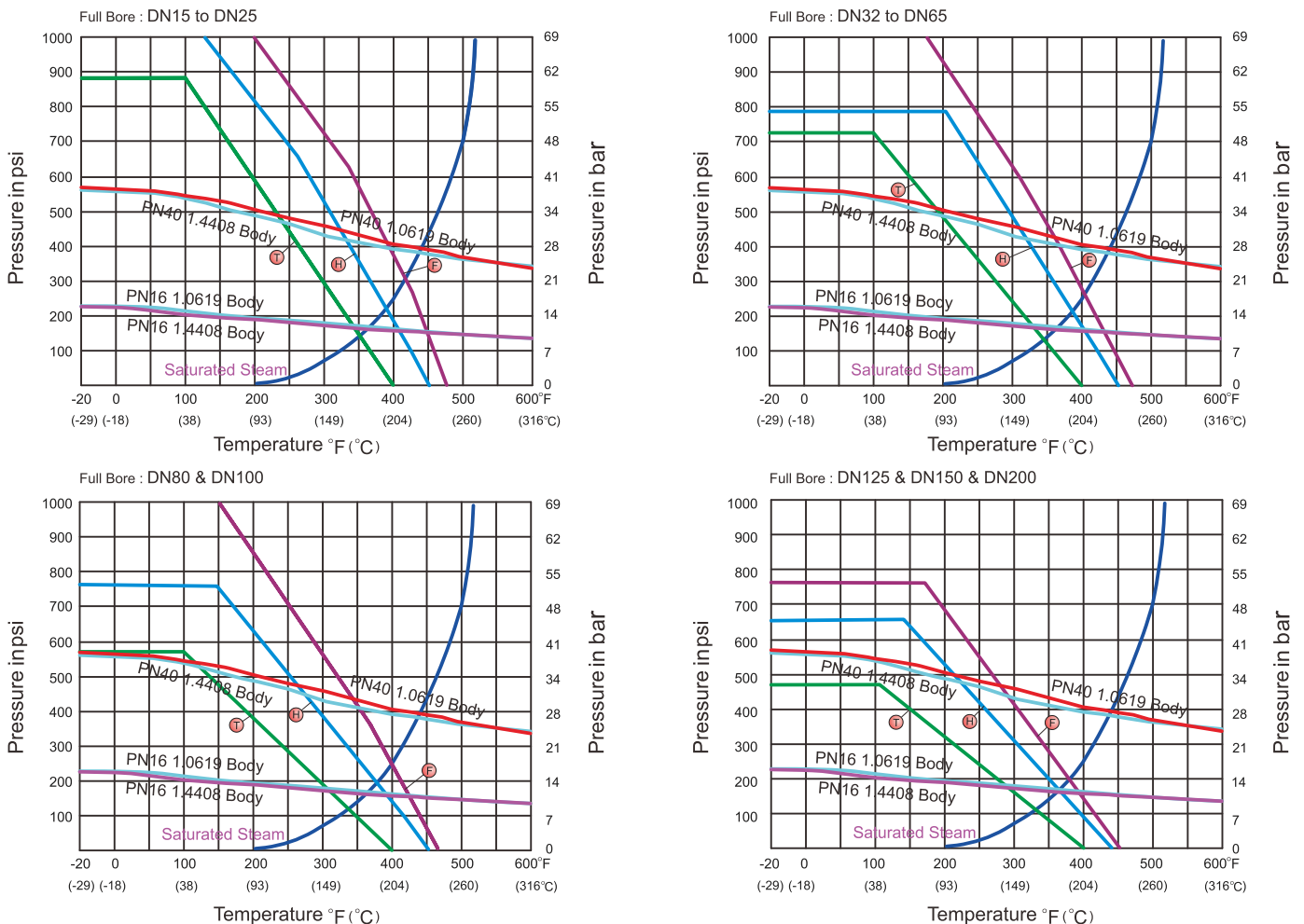
Size/ ΔP	75 psig		150 psig		240 psig / 300 psig		600 psig	
	5 bar		10 bar		16 bar/20 bar		40bar	
DN	N-m	In-lb	N-m	In-lb	N-m	In-lb	N-m	In-lb
15	5	44	5	44	5	44	5	44
20	6	53	6	53	6	53	6	53
25	10	88	10	88	11	97	11	97
32	13	115	13	115	15	133	17	150
40	19	168	19	168	22	195	24	212
50	25	221	29	257	32	283	34	301
65	40	354	45	398	49	434	52	460
80	65	575	72	637	81	717	88	779
100	100	885	110	973	122	1080	132	1168
125	190	1681	210	1858	245	2168	280	2478
150	280	2478	306	2708	340	3009	510	4514
200	370	3274	430	3805	487	4310	730	6461

- Remark : 1. Torques will increase about 30% if seat materials are Reinforced Fiber-Glass PTFE, Carbon-filled. PTFE or EK+PTFE or EK+PTFE or TFM4215.
2. The torque figures at 5 bar pressure are maximum values to be tested after the valves are placed for 24 hours.
3. For actuator sizing, a safety factor of minimum 30% is recommended.

TECHNICAL INFORMATION

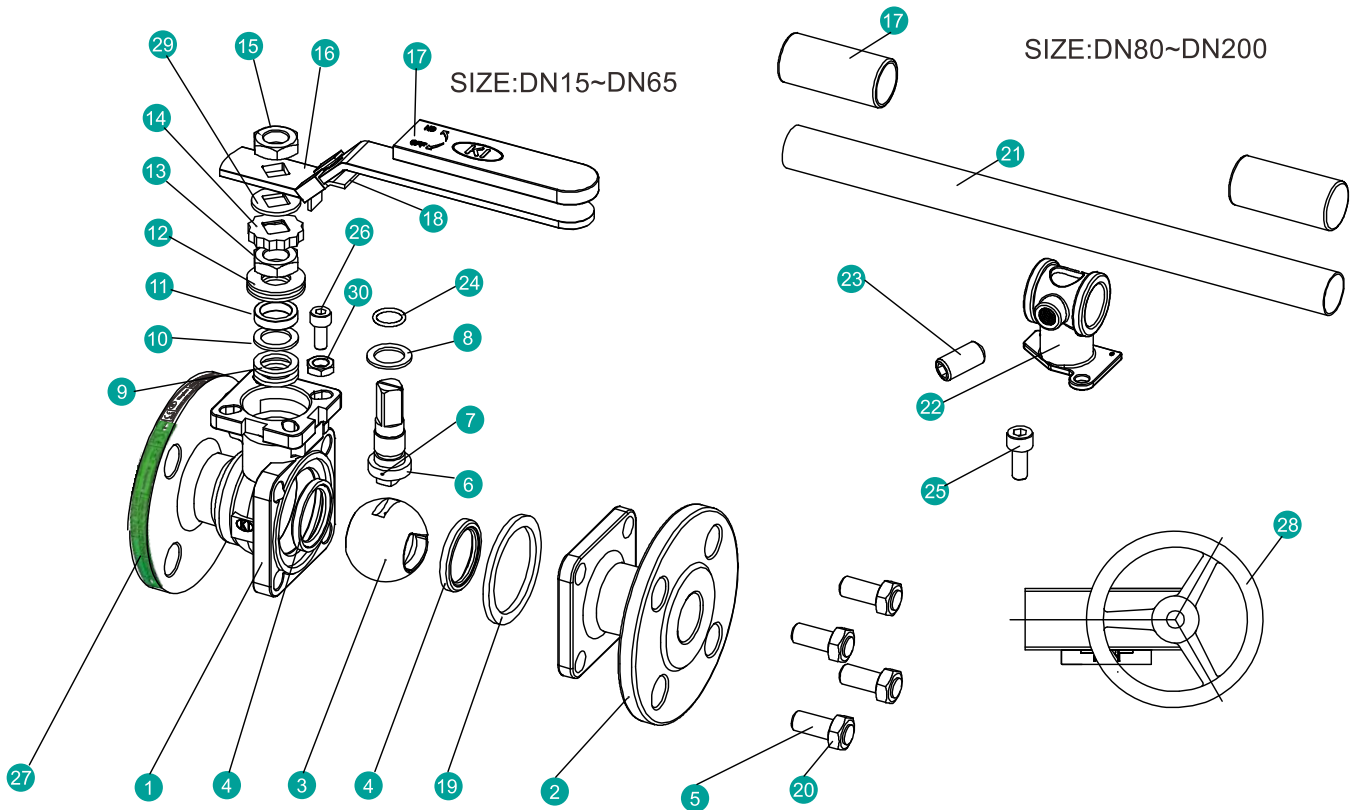
PRESSURE - TEMPERATURE DATA

The pressure-temperature data of ball valves is determined not only by valve shell materials but also by sealing materials used for ball seats, gland packings and flange gaskets.



Seat Materials : **T** PTFE **H** TFM1600 **E** TFM4215

Body Ratings: Shown above are for EN10213 Nr. 1.4408 and EN 10213 Nr. 1.0619
For ratings of other valve shell materials, please refer to the last edition of EN12516-1.

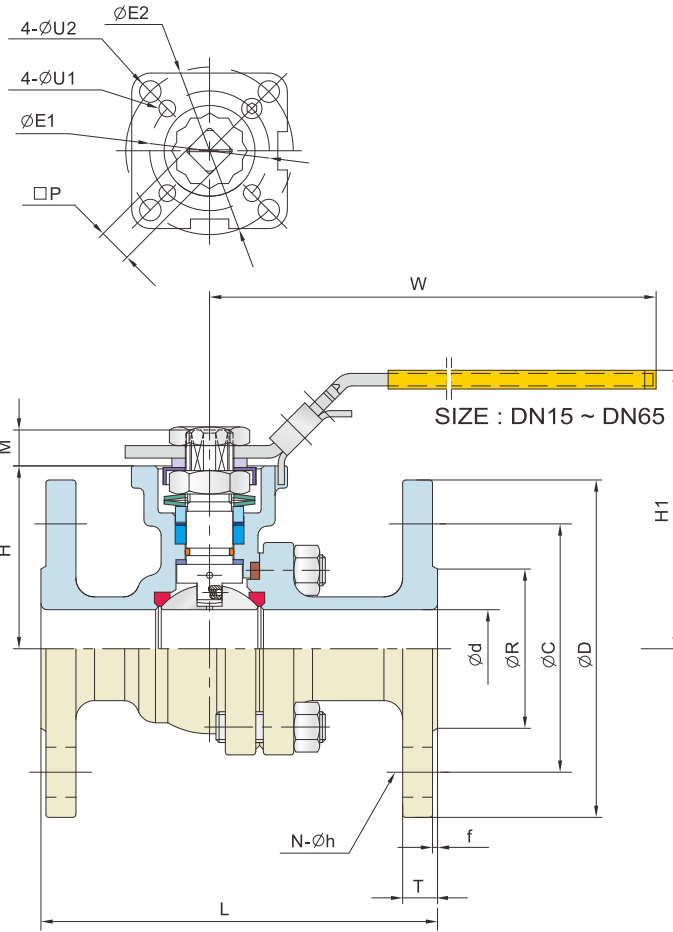


MATERIAL OF CONSTRUCTION

NO.	PART NAME	MATERIALS		
		ANSI	ANSI	ANSI
1	End Cap	1.4408	1.4308	1.0619
2	Body	1.4408	1.4308	1.0619
3	Ball	316		304
4	Ball Seat	TFM1600 / PTFE /TFM4215		
5	Bolting	A2-70		8.8
6	Stem(DN 15~DN125, DN200)	316		304
	Stem(DN 150)	S32205		S32205
7	Anti-Static	316		304
8	Thrust Washer	PTFE/TFM1600		
9	Stem Packing	PTFE / GRAPHITE*		
10	Bushing	50%SS+50%PTFE / 304*		
11	Gland	316		
12	Belleville Washer	301		
13	Stem Nut	A194-8		
14	Stop-lock-Cap	304		
15	Handle Nut (DN15 ~ DN65)	A194-8		
16	Lever (DN15 ~ DN65)	304		
17	Handle Sleeve	PVC		
18	Lock Device (DN15 ~ DN65)	304		
19	Body Gasket	PTFE / 316 Spiral Wound+GRAPHITE*		
20	Bolt Nut	A2-70		8
21	Pipe Handle (DN80 ~ DN200)	A53+PLATED Zn		
22	Handle Adapter (DN80 ~ DN200)	A351-CF8		
23	Set Screwed (DN80 ~ DN200)	A2-70		
24	O-Ring	FKM (VITON)		
25	Bolting (DN80 ~ DN200)	A2-70		
26	Stop Bolt	A2-70		
27	Nameplate	304		
28	Worm Gear (Optional)	Package		
29	Support Washer	304		
30	Stop Nut	A2-70		

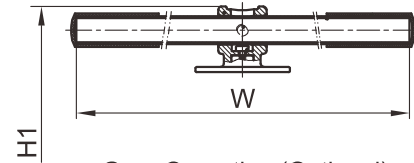
*Materials for KV-L6J, L6K, L6M, L6N Series (Fire Safe Models)

Direct Mount Pad (ISO 5211)



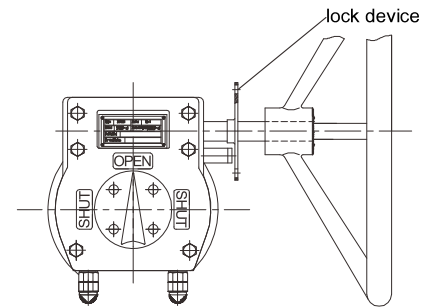
Pipe Handle Operation

SIZE : DN80 ~ DN200



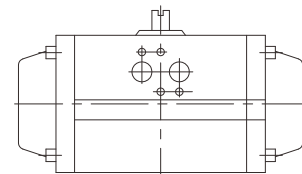
Gear Operation (Optional)

SIZE : DN65 ~ DN200



Automation (Optional)

SIZE : DN15 ~ DN200



DIMENSION TABLE

EN PN10/16/25/40 (F4 / F5, F1)

Unit : mm

DN	PN	d	L	*L	R	D	C	f	T	N	h	H	H1	W	M	P	U1	U2	E1	E2	ISO 5211			
15	10	15.0	115	130	45	95	65	2	16	4	14	48	78	147	9	9	6	6	36	42	F03-F04			
20		20.0	120	150	58	105	75	2	18	4	14	53	84	147	9	9	6	6	36	42	F03-F04			
25		25.0	125	160	68	115	85	2	18	4	14	59	90	177	11	11	6	7	42	50	F04-F05			
32	25	32.0	130	180	78	140	100	2	18	4	18	71	102	177	11	11	6	7	42	50	F04-F05			
40	40	38.0	140	200	88	150	110	3	18	4	18	76	110	197	14	14	7	9	50	70	F05-F07			
50		50.0	150	230	102	165	125	3	20	4(a)	18	85	118	197	14	14	7	9	50	70	F05-F07			
65		10/16	63.5	170	—	122	185	145	3	18	4	18	102	150	267	17	17	9	11	70	102	F07-F10		
	290				107																		155	
80	25/40	76.0	180	310	138	200	160	3	22	8	18	107	155	300	17	17	9	11	70	102	F07-F10			
																						24	112	176
100	10/16	100.0	190	350	158	220	180	3	20	8	18	140	210	400	22	22	—	11	—	102	F10			
					162	235	190																	
125	25/40	125.0	325	400	188	250	210	3	22	8	18	183	263	600	27	27	14	—	125	—	F12			
					270	220	26																	
150	10/16	150.0	350	480	212	285	240	3	22	8	22	204	284	800	27	27	14	—	125	—	F12			
					218	300	250															26		
200	10	200.0	400	600	268	340	295	3	24	8	22	253	352	800	36	36	—	18	—	140	F14			
	16				278	360	310															30	12	26
	25				285	375	320															34	30	30
	40				285	375	320															34	34	30

KV-L4J, KV-L6J — **PN10**
KV-L4K, KV-L6K — **PN16**

KV-L4M, KV-L6M — **PN25**
KV-L4N, KV-L6N — **PN40**

(a): 4 is factory standard for DN65 PN16 valve and 8 is optional.
L: for Series F4/F5 *L: for Series F1